

Marchio / Brand ZUCCHETTI

Classe / Class

ISY

## ISY

ZD5662

Termostatico incasso doccia con 4 rubinetti d'arresto. / Built-in thermostatic shower mixer with 4 stop valves.



Termostatico incasso doccia da 1/2", con 4 rubinetti d'arresto.

1/2" built-in thermostatic shower mixer with 4 stop valves.

R97823

Parte incasso. / Built-in part.



## Finiture / Finishes

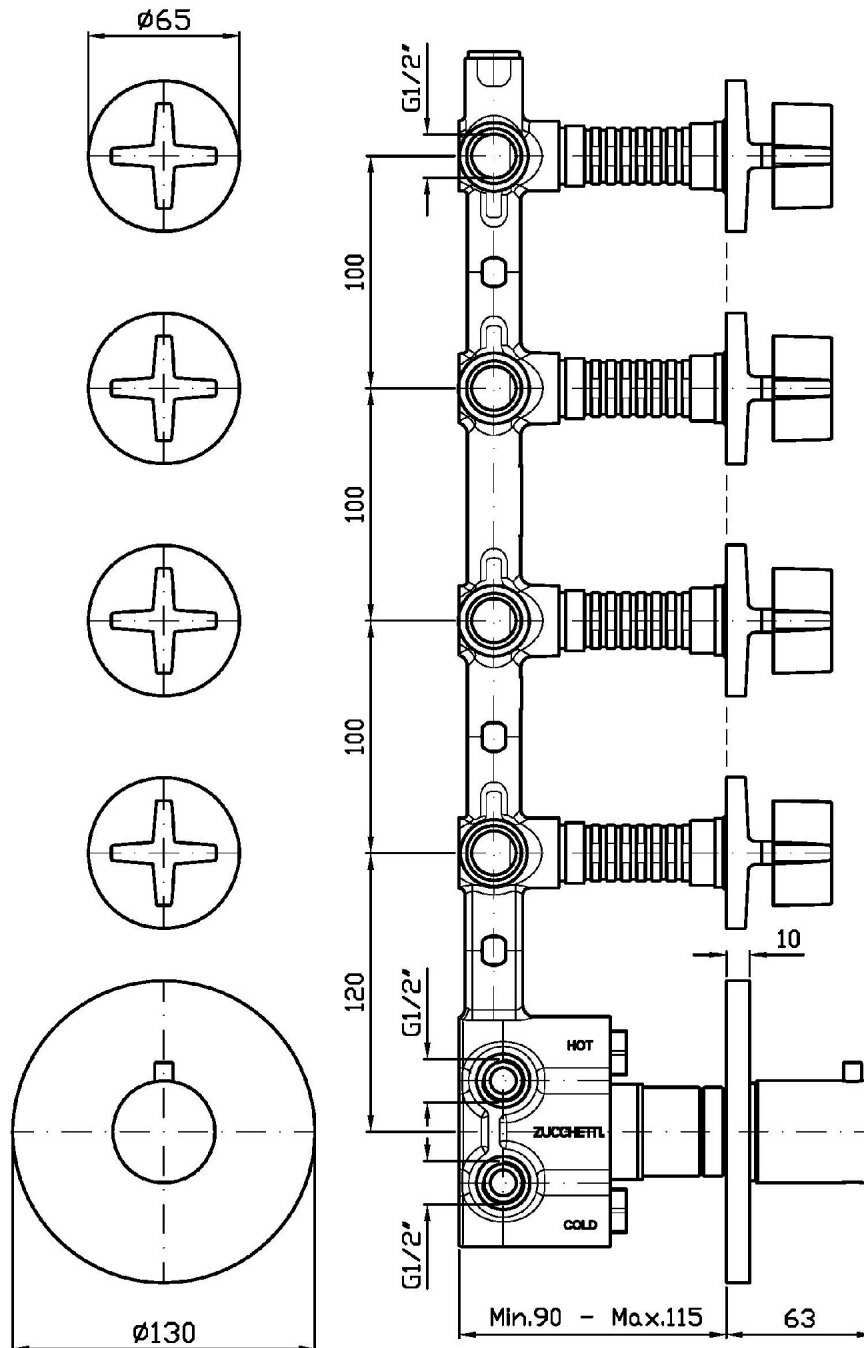


Cromo / Chrome

## ISY

ZD5662

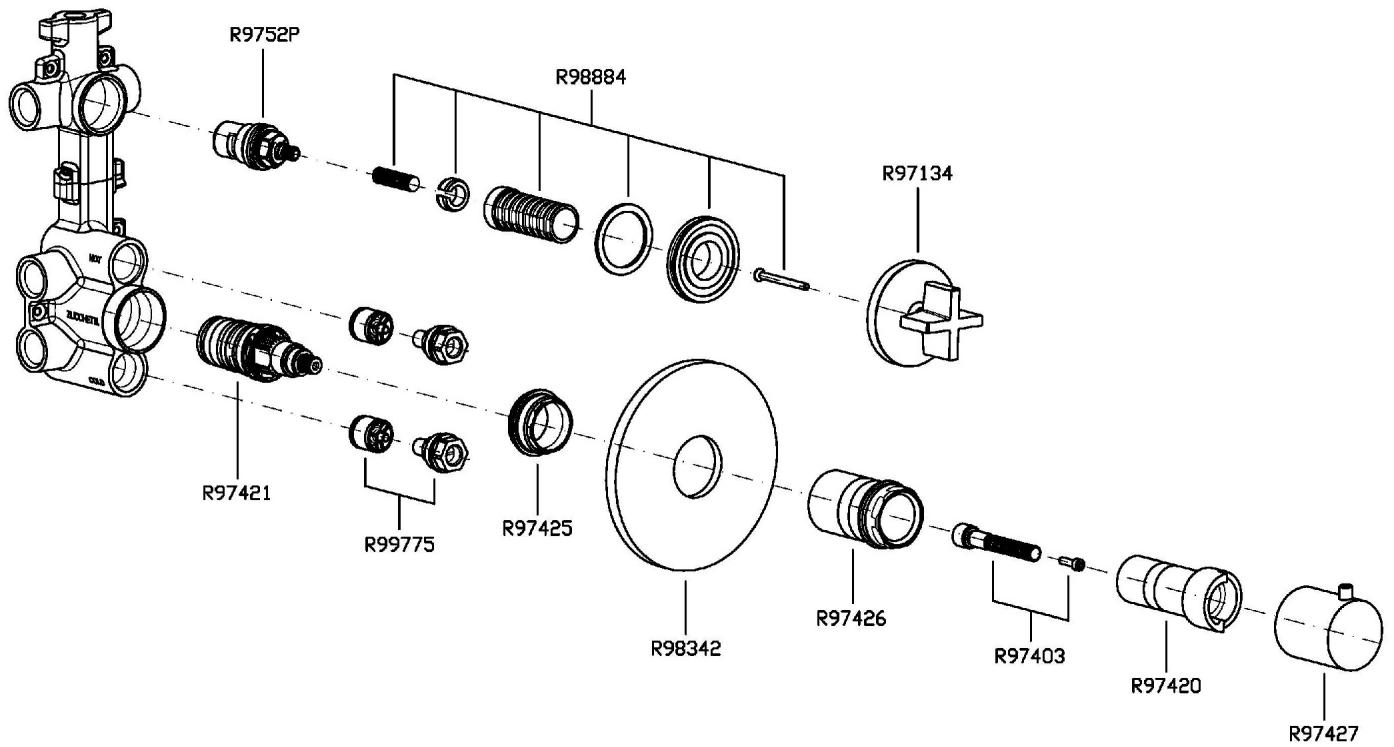
Disegno Complessivo / Overall Drawing



## ISY

ZD5662

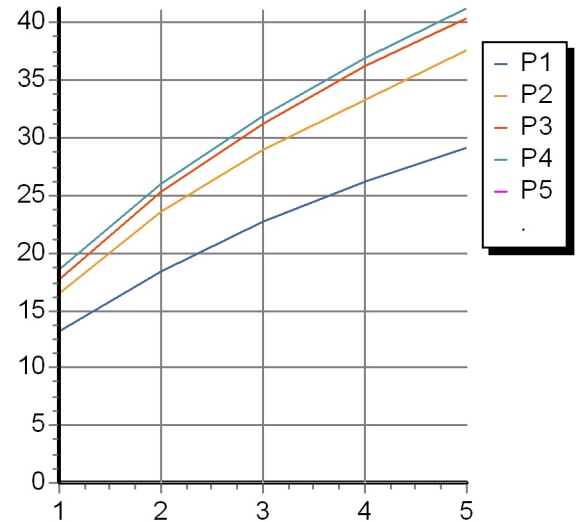
Esplosi / Exploded



## ISY

### ZD5662 Portate / Flowrates (lt/min)

| PRESSIONE<br>PRESSURE                              | 1 BAR | 2 BAR | 3 BAR | 4 BAR | 5 BAR |
|--|-------|-------|-------|-------|-------|
| 1 RUBINETTO APERTO<br><i>P1</i> 1 STOP VALVE OPEN  | 13,2  | 18,4  | 22,7  | 26,2  | 29,2  |
| 2 RUBINETTO APERTI<br><i>P2</i> 2 STOP VALVES OPEN | 16,5  | 23,6  | 29    | 33,3  | 37,6  |
| 3 RUBINETTO APERTI<br><i>P3</i> 3 STOP VALVES OPEN | 17,7  | 25,3  | 31,3  | 36,2  | 40,4  |
| 4 RUBINETTO APERTI<br><i>P4</i> 4 STOP VALVES OPEN | 18,5  | 26    | 31,9  | 36,9  | 41,3  |
| <i>P5</i>  |       |       |       |       |       |



## ISY

### ZD5662 Pesì e Misure / Weights and Sizes

|                           |               |                   |
|---------------------------|---------------|-------------------|
| Peso ( Kg ) Weight ( lb ) | 2,84 ( Kg )   | 6,261064 ( lb )   |
| Volume ( dc3 ) - ( in3 )  | 15,98 ( dc3 ) | 0,000975 ( in3 )  |
| h ( mm ) - ( in )         | 90 ( mm )     | 3,543309 ( in )   |
| L1 ( mm ) - ( in )        | 335 ( mm )    | 13,1889835 ( in ) |
| L2 ( mm ) - ( in )        | 530 ( mm )    | 20,866153 ( in )  |

