

Marchio / Brand ZUCCHETTI

Classe / Class

JINGLE

JINGLE

ZIN659

Termostatico incasso doccia con rubinetto d'arresto. / Built-in thermostatic shower mixer with stop valve.



Termostatico incasso doccia da 1/2", con rubinetto d'arresto.




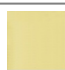


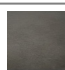


1/2" built-in thermostatic shower mixer with stop valve.

R97820

Parte incasso. / Built-in part.



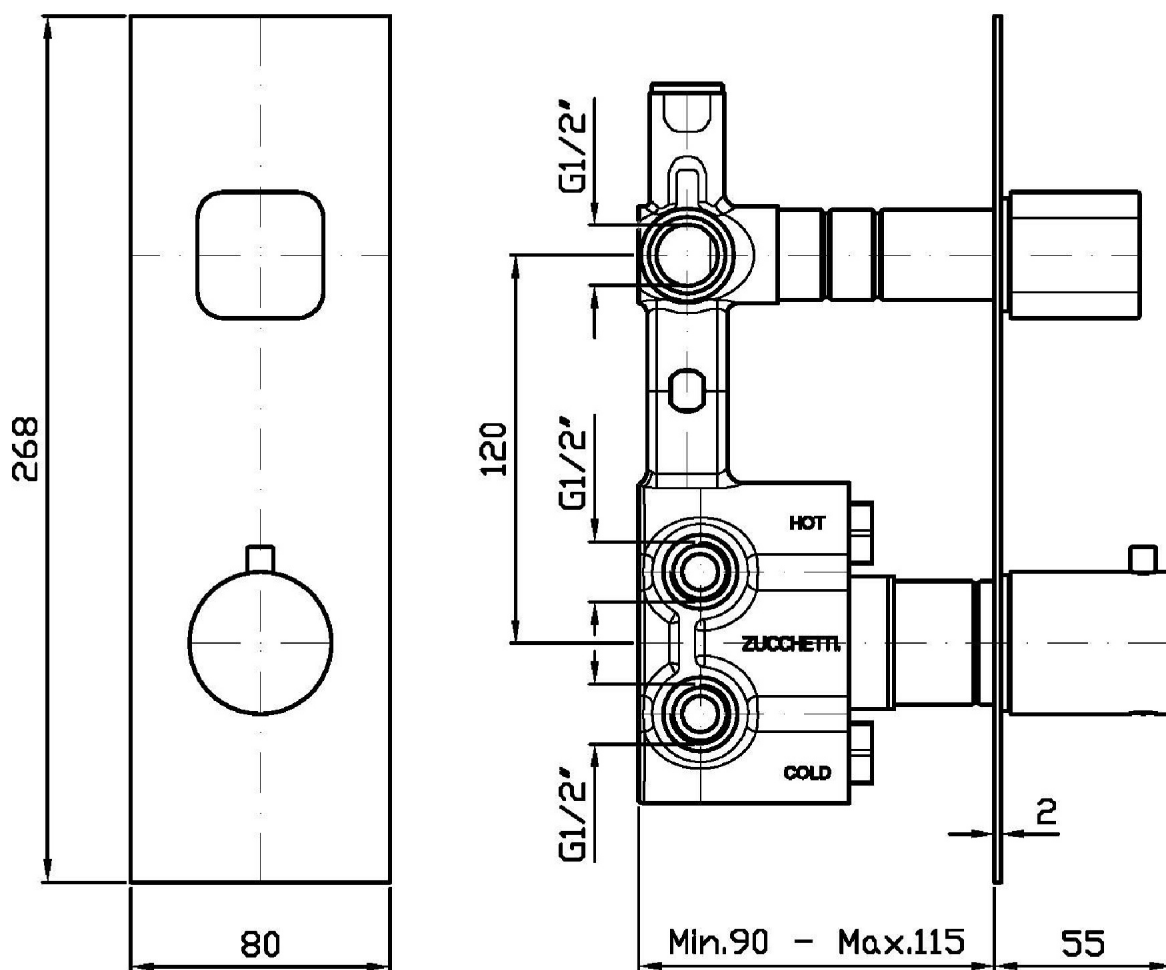
Finiture / Finishes

						
Cromo / Chrome	Nickel Spazzolato / Brushed Nickel	Nickel Lucido / Polished Nickel	Gold / Gold	Brushed Gold / Brushed Gold	Metal Black / Metal Black	Brushed Metal Black / Brushed Metal Black
						
Bianco Opaco Goffrato / Emb. Matt White	Nero Opaco Goffrato / Emb. Matt Black					

JINGLE

ZIN659

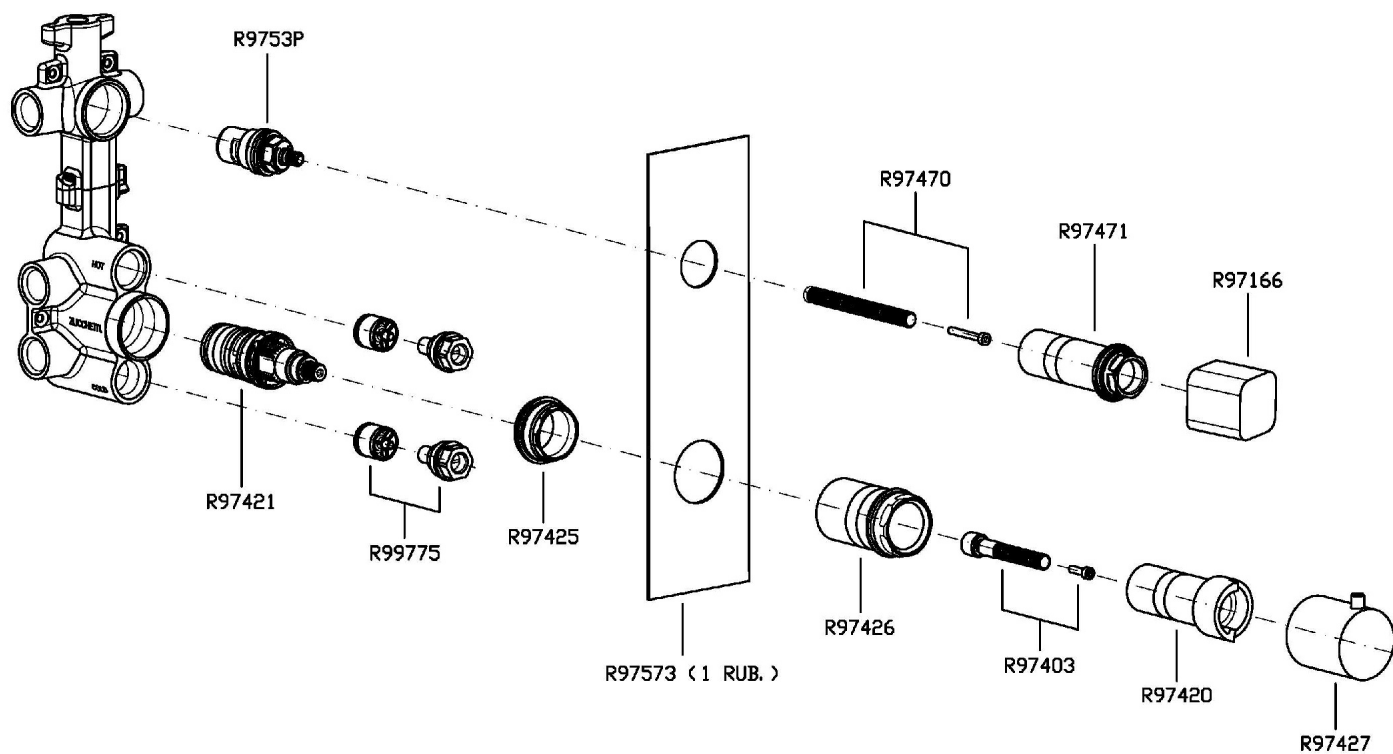
Disegno Complessivo / Overall Drawing



JINGLE

ZIN659

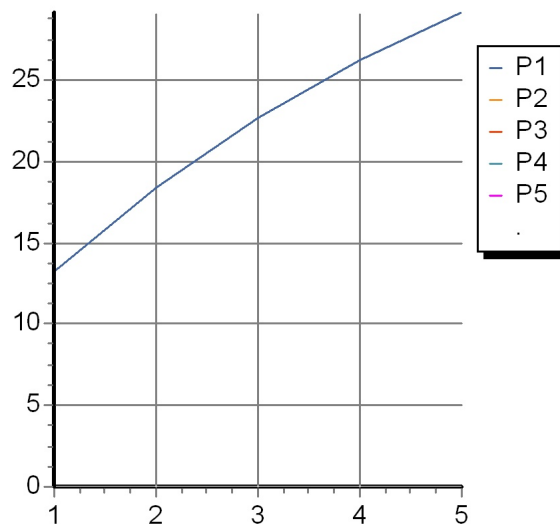
Esplosi / Exploded



JINGLE

ZIN659 Portate / Flowrates (lt/min)

PRESSIONE PRESSURE	1 BAR	2 BAR	3 BAR	4 BAR	5 BAR
1 RUBINETTO APERTO P1 1 STOP VALVE OPEN	13,2	18,4	22,7	26,2	29,2
P2					
P3					
P4					
P5					



JINGLE

ZIN659 Pesì e Misure / Weights and Sizes

Peso (Kg) Weight (lb)	1,3 (Kg)	2,86598 (lb)
Volume (dc3) - (in3)	11,01 (dc3)	0,000672 (in3)
h (mm) - (in)	90 (mm)	3,543309 (in)
L1 (mm) - (in)	335 (mm)	13,1889835 (in)
L2 (mm) - (in)	365 (mm)	14,3700865 (in)

